

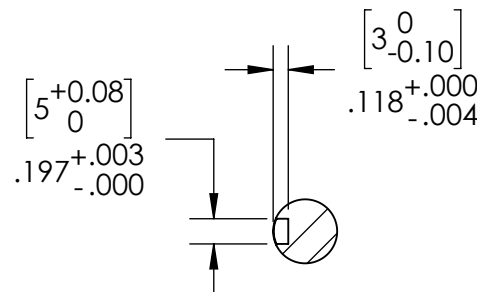
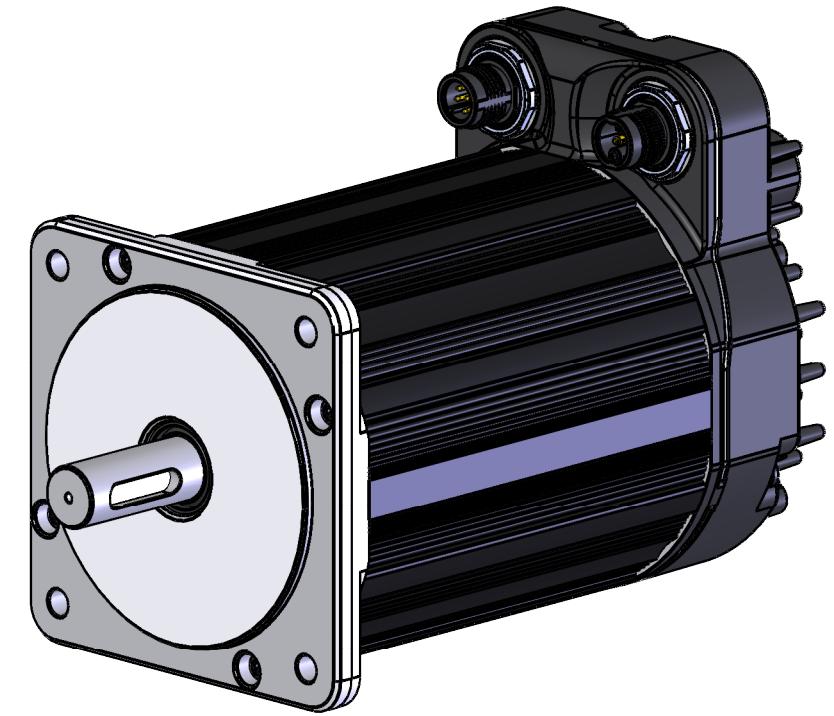
# Teknic ClearPath<sup>®</sup> - IP66K/IP67

## Fractional HP, DC Input

### NEMA 34

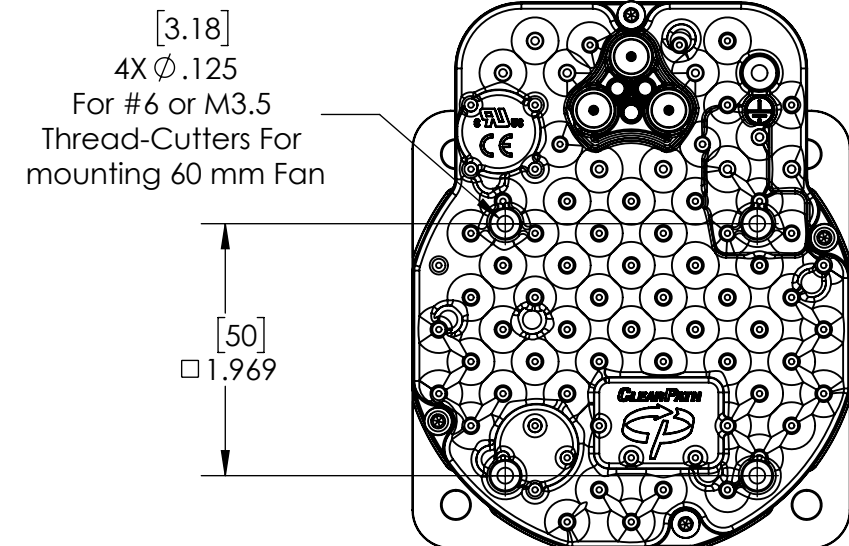
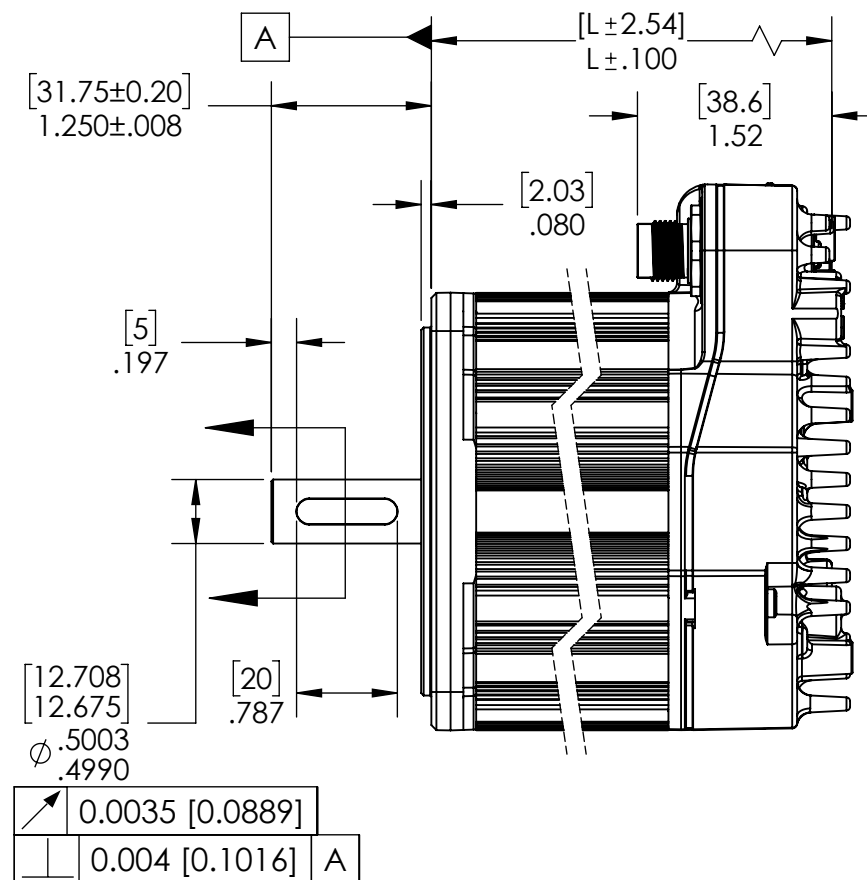
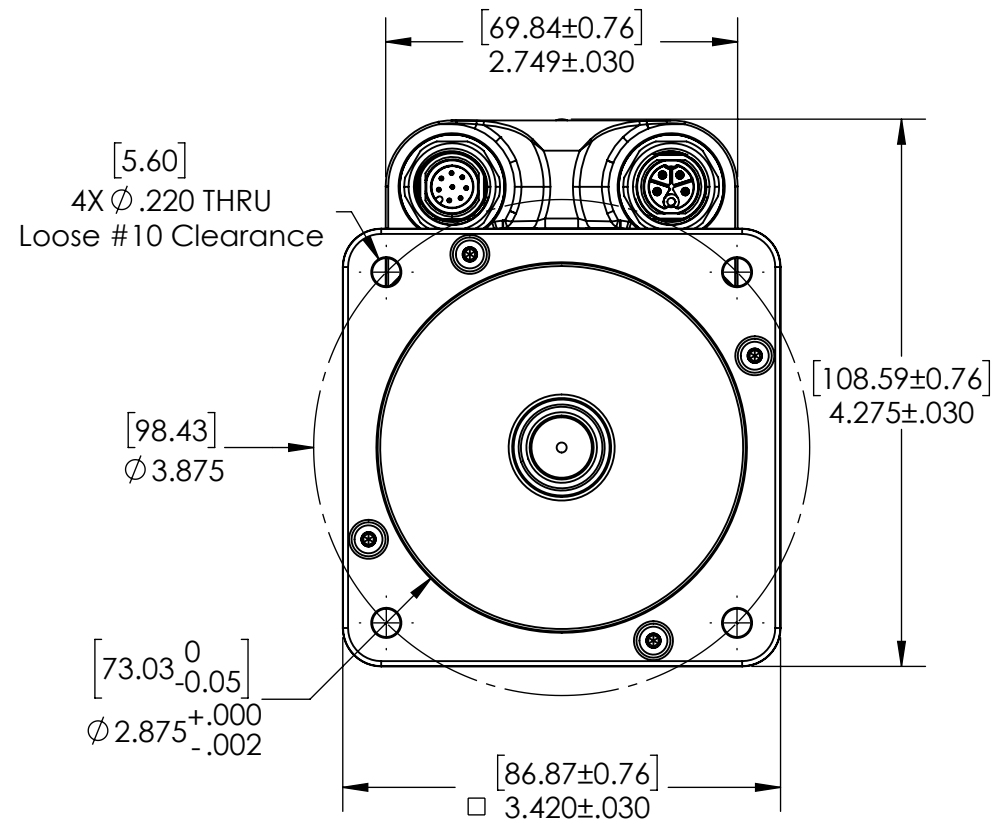
All dimensions are in inch [mm] unless otherwise noted.  
Sheet Scale 2:3

Unless otherwise specified, untoleranced dimensions default to:  
**X.XX: ± 0.010" [.25mm]**  
**X.XXX: ± 0.005" [.125mm]**



Shaft Keyway Section

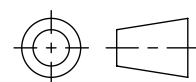
Model Number	L
CPM-____-341__-__	3.323 [84.41]
CPM-____-342__-__	4.064 [103.23]
CPM-____-343__-__	4.812 [122.23]
CPM-____-344__-__	5.567 [141.41]



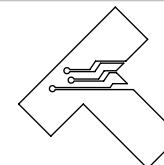
**Teknic, Incorporated**

Victor, NY 14564 USA

This document and related electronic files are the sole property of Teknic, Incorporated and contain proprietary information.



Third-Angle Projection



Additional documentation including product specifications, up-to-date compliance information, and manuals can be downloaded from Teknic's website.

Visit <https://www.teknic.com/> to access that documentation.

DWG. NO./REV

D1230/C

TITLE: 34xx ClearPath IP66K/IP67 Motor Family

1

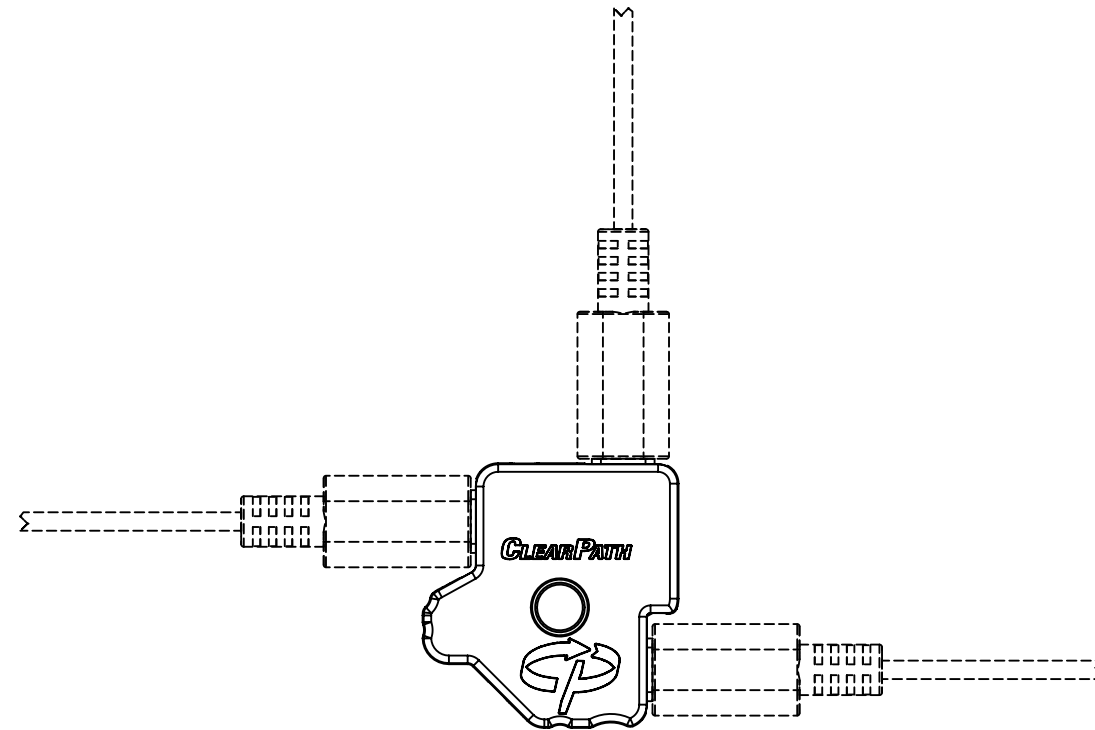
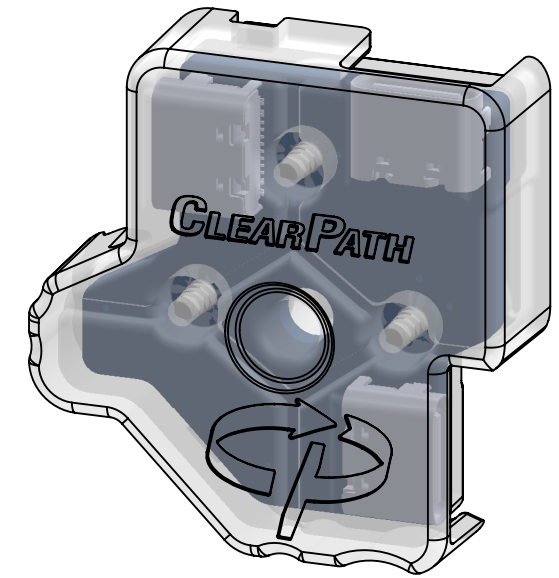
of 3 Sheets

# USB-IR Converter

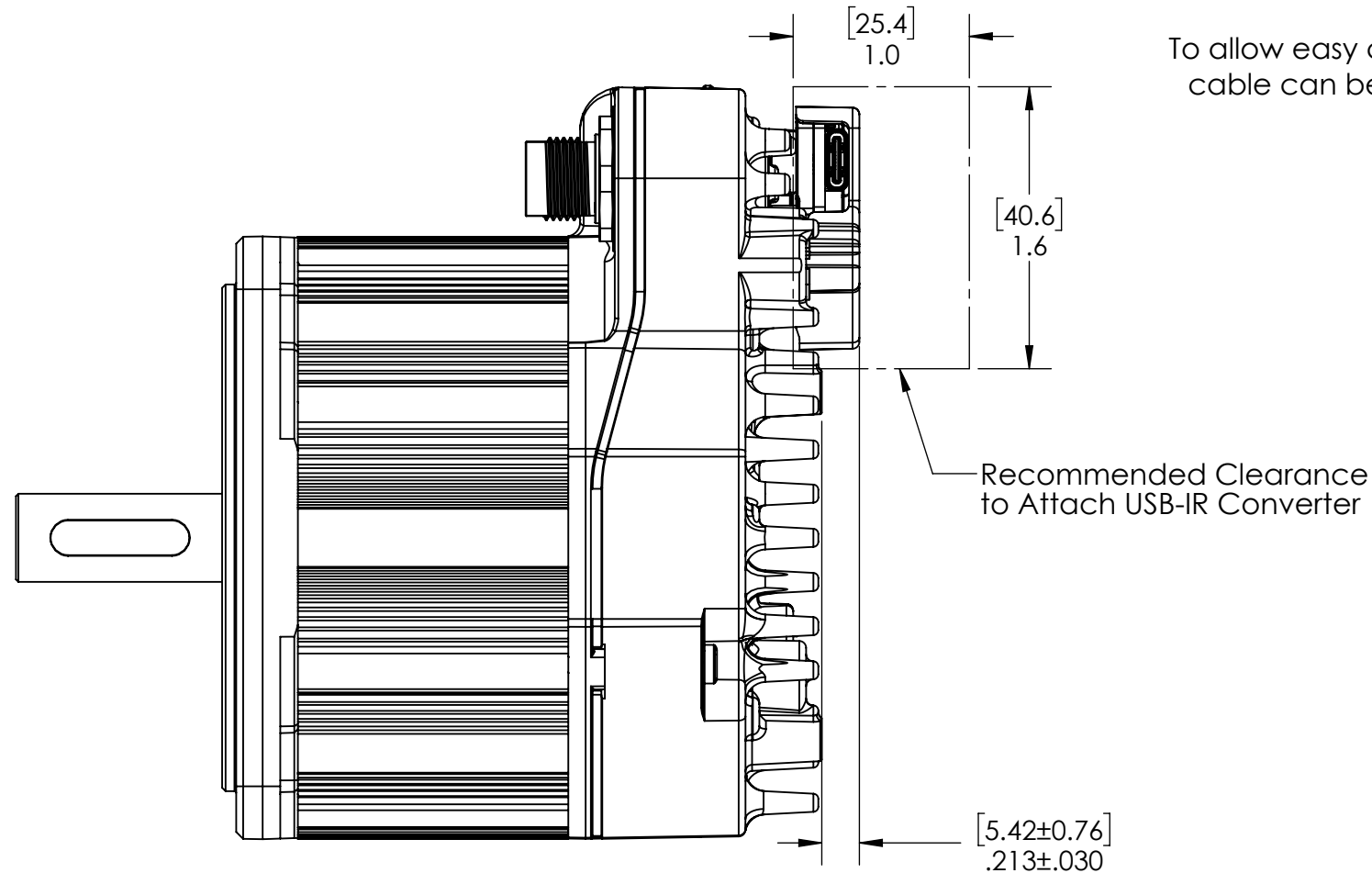
## P/N: CPMS-USB-IR

All dimensions are in inch [mm] unless otherwise noted.  
Sheet Scale 2:1

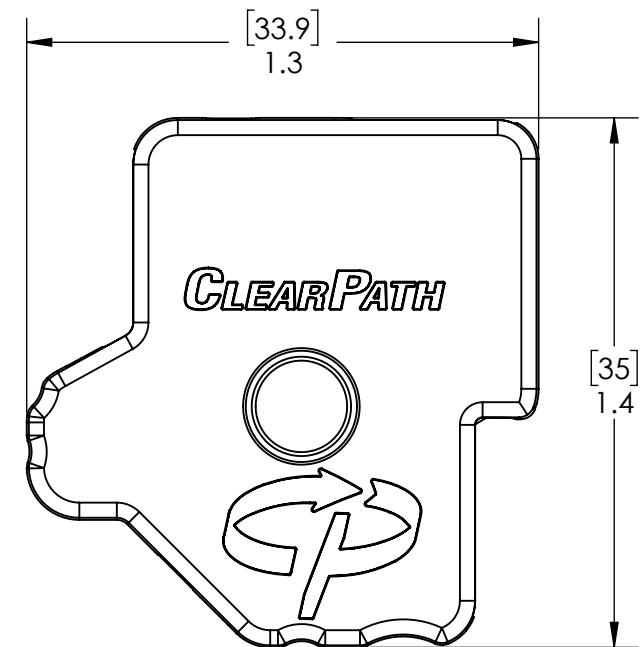
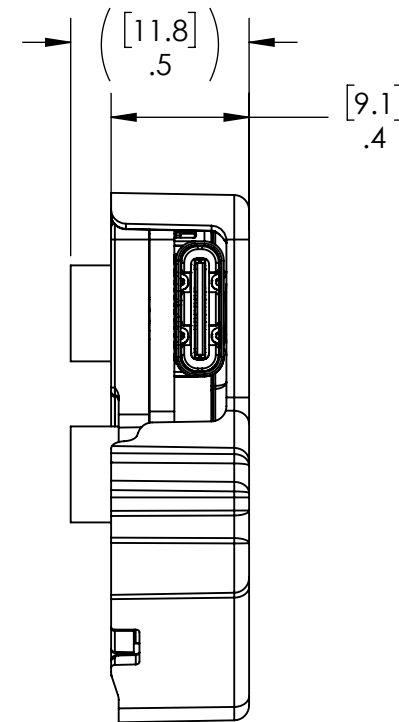
Unless otherwise specified, untoleranced dimensions default to:  
**X.X:** ± 0.020" [.5mm]  
**X.XX:** ± 0.010" [.25mm]



To allow easy connection in multiple orientations, a USB-C cable can be plugged into any one of three locations.  
(Cables not Included)  
Scale 1:1



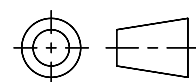
341 Motor For Reference  
Scale 1:1



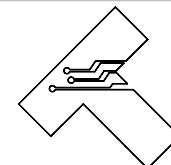
**Teknic, Incorporated**

Victor, NY 14564 USA

This document and related electronic files are the sole property of Teknic, Incorporated and contain proprietary information.



Third-Angle Projection



Additional documentation including product specifications, up-to-date compliance information, and manuals can be downloaded from Teknic's website.

Visit <https://www.teknic.com/> to access that documentation.

DWG. NO./REV

D1230/C

TITLE: 34xx ClearPath IP66K/IP67 Motor Family

2

of 3 Sheets

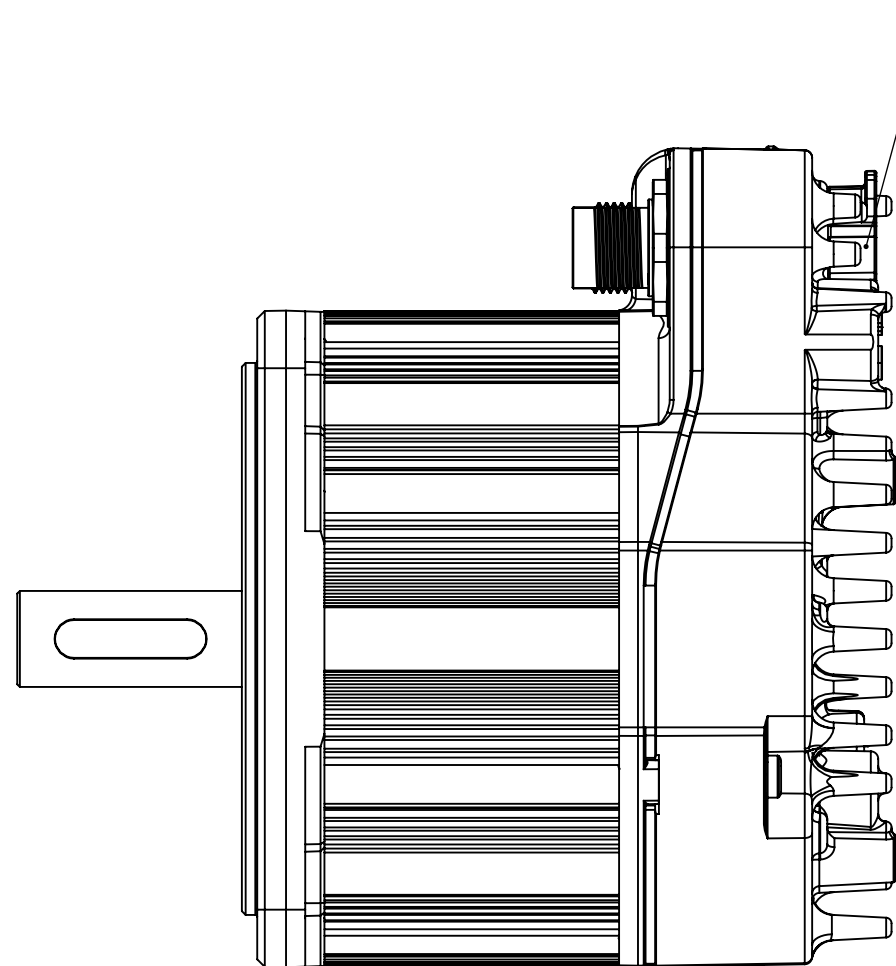
# USB-IR Port Cover

## P/N: CPM-COVER-USB-5PC

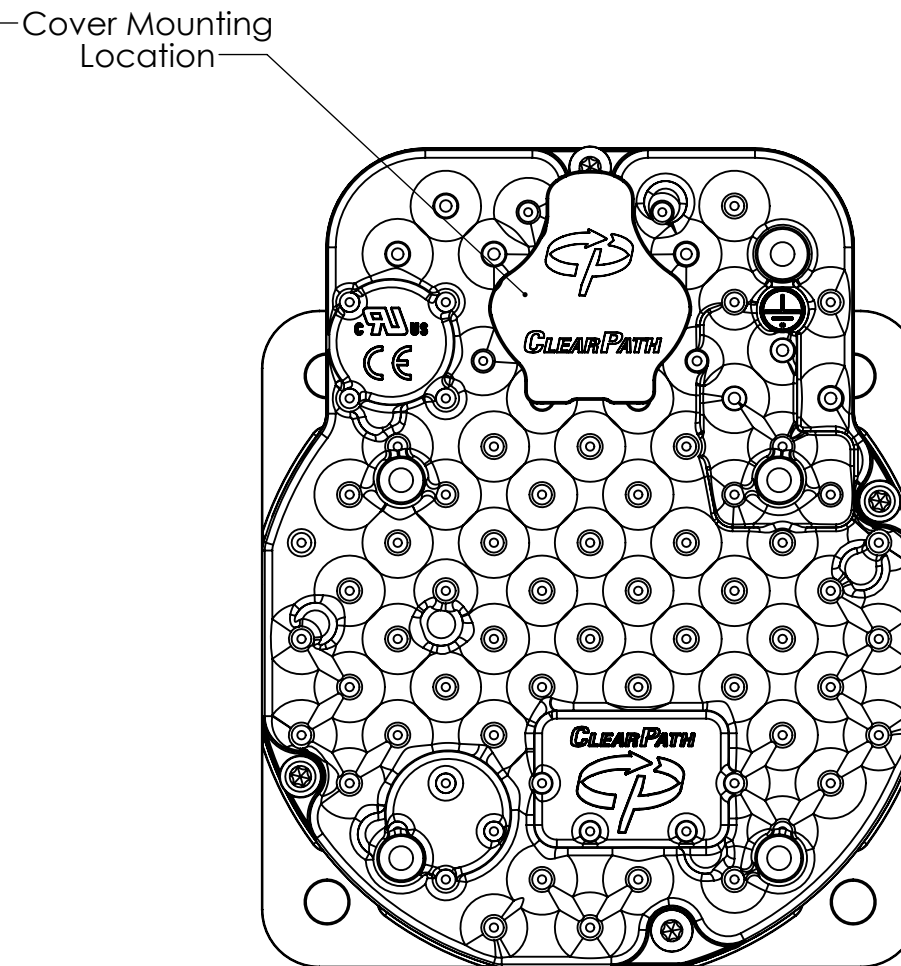
Package of five (5) covers.

All dimensions are in inch [mm] unless otherwise noted.  
Sheet Scale 2:1

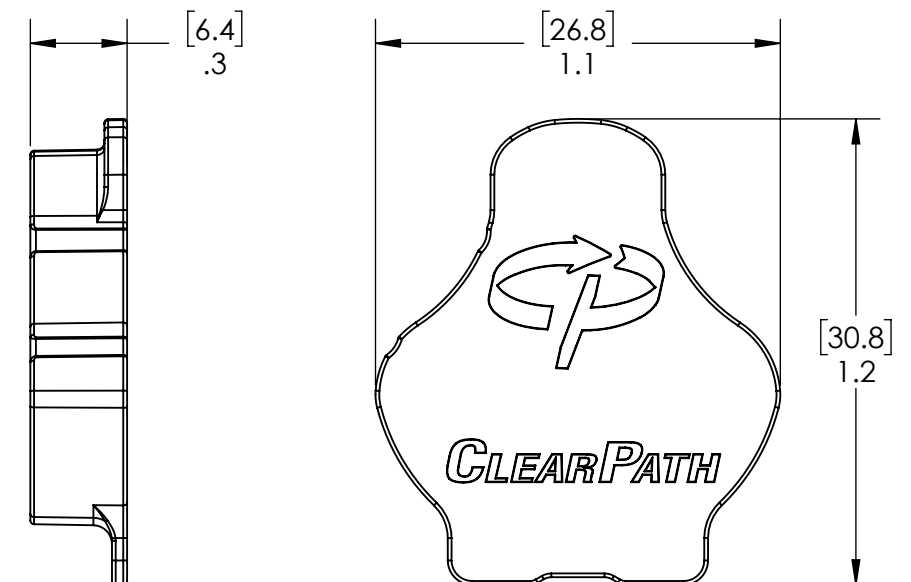
Unless otherwise specified, untoleranced dimensions default to:  
**X.X: ± 0.020" [.5mm]**  
**X.XX: ± 0.010" [.25mm]**



341 Motor For Reference  
Scale 1:1



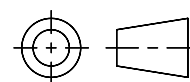
341 Motor For Reference  
Scale 1:1



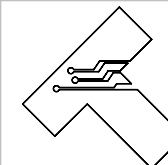
**Teknic, Incorporated**

Victor, NY 14564 USA

This document and related electronic files are the sole property of Teknic, Incorporated and contain proprietary information.



Third-Angle Projection



Additional documentation including product specifications, up-to-date compliance information, and manuals can be downloaded from Teknic's website.

Visit <https://www.teknic.com/> to access that documentation.

DWG. NO./REV

D1230/C

TITLE: 34xx ClearPath IP66K/IP67 Motor Family

3

of 3  
Sheets